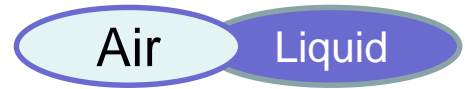




“FRM2” series



External cracking pressure adjustment model. It can also be used for solvents.

■ Features

- Designed to reduce risk of outside-leak better than FRM1.
- As seal material. EPDM, kalrez are available in chemical, solvent and corrosive fluid.
- Setting of cracking pressure is controllable.
(Pressure setting is done before shipping)
- High flow rate model.



■ Applications

- Machine Tools : Milling machine, NC lathe, laser processing machine etc.
- Industrial furnace : General industrial furnace, heating furnace, vacuum furnace, etc.
- Medical : Endoscope washing device, oxygen concentrator, anesthesia machine etc.
- Analysis equipment: Measurement equipment, component gas analysis, gas analyzer etc.
- Battery : Household fuel cell, secondary battery, gas engine etc.
- Water (liquid) treatment: Pure water production, pure water recycling.
- Gas generator related: Compressor, compact pressure vessel, various gas generator etc.
- Others: Oxygen capsule, gasoline measuring instrument, forklift etc.

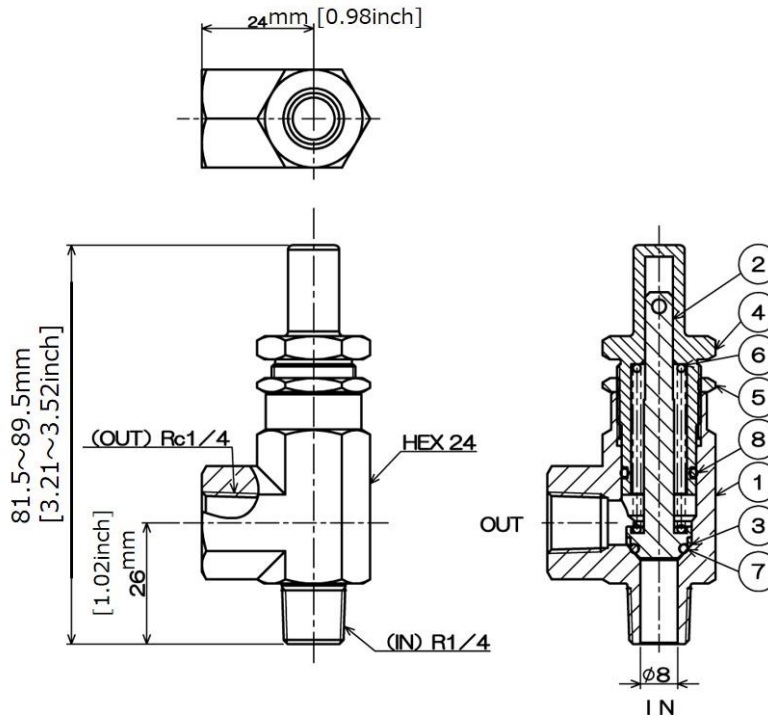
■ Specification

Working fluid	Gas or liquid that touching parts are not corroded.	Maximum working Pressure MPa[psi]	2.0 [290.08]
Pipe port	1/4(In R × Out Rc)	Cracking pressure Setting range kPa[psi]	50 ~ 1500 [7.25 ~ 217.56]
Body material	Brass / SCS14	Pressure resistance MPa[psi]	3.0 [435.11]
Seal material	FKM(Standard)	Fluid temperature °C[°F]	0 ~ 90 [32 ~ 194] (FKM)
Weight g[pound]	170 [0.37] (FRM2B2V)	Operating temperature °C[°F]	0 ~ 60 [32 ~ 140]
Comment	<ul style="list-style-type: none"> ■ Ordering cracking pressure is unless 50kPa[7.25psi], please contact us. ■ If you need other material or port size, please contact us. ■ If you need manual release unit, use FRM1. 		



FUJIKURA COMPOSITES

Size



Model designation

FRM2 T 2 V — A — 150

Model name	
FRM2	External cracking pressure adjustment type.

Pipe port	
2	1/4

Pressure setting range	
A	50~150kPa [7.25~21.76psi]
B	150~500kPa [21.76~72.52psi]
C	500~1500kPa [72.52~217.56psi]

Cracking pressure kPa

Body material	
B	Brass
T	SUS316

Seal material		
V	FKM (Standard)	0~90°C [32~194]psi

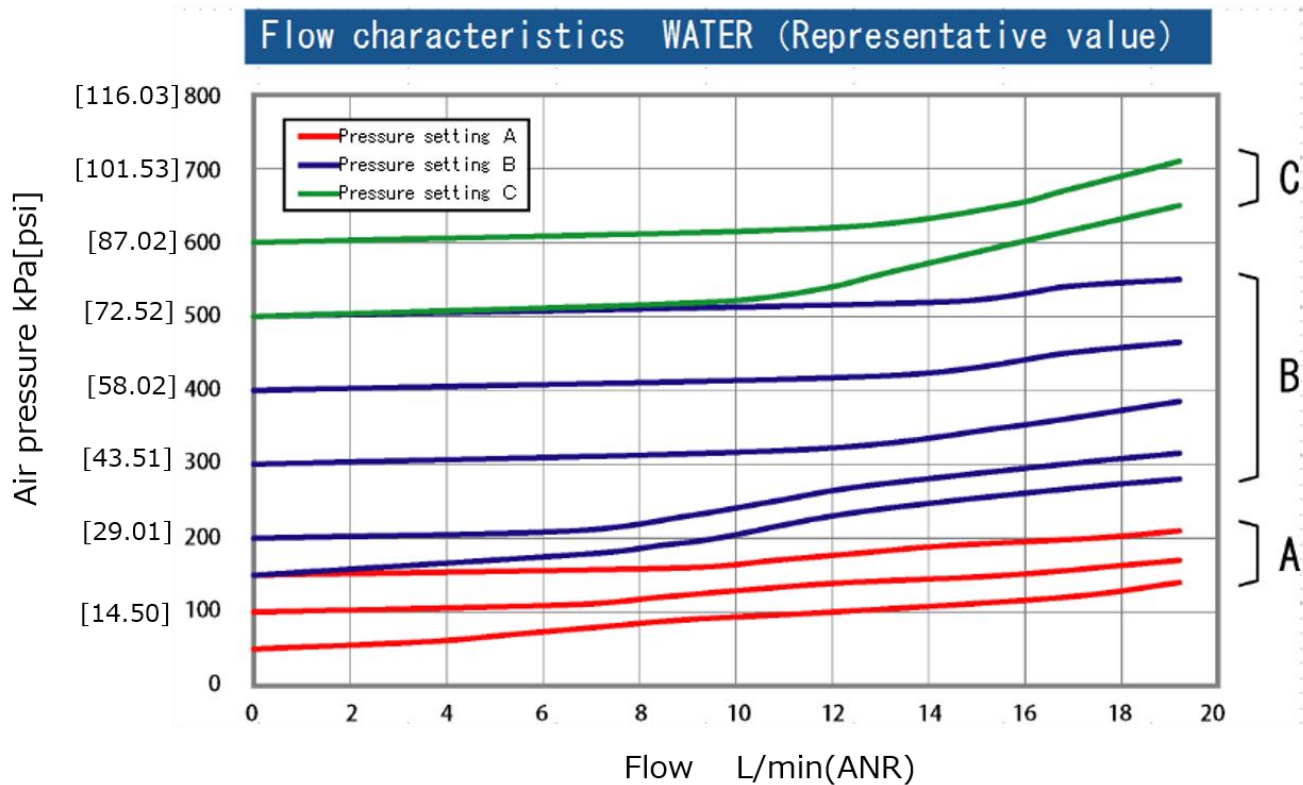
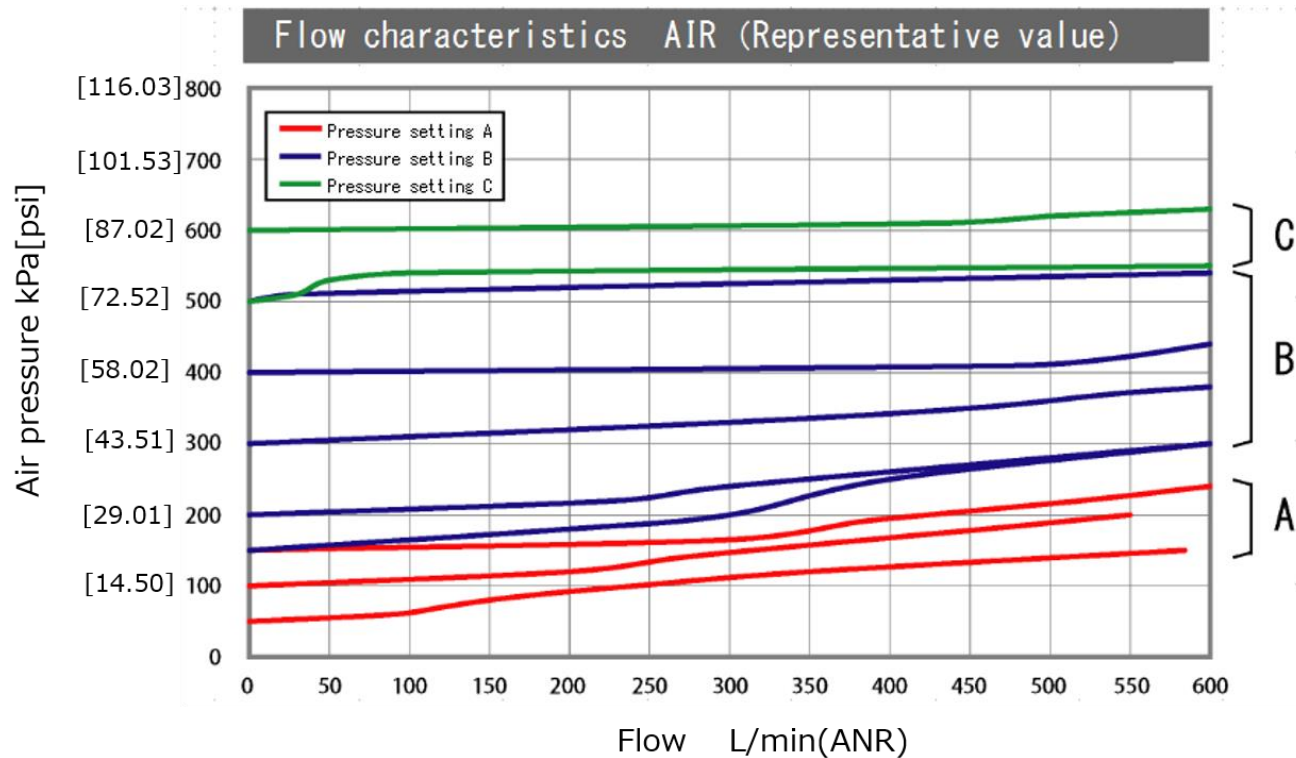
Caution
Please order setting pressure at kPa.

Example) In case of 0.05MPa(50kPa) < 50 >
In case of 1MPa(1000kPa) < 1000 >



FUJIKURA COMPOSITES

■ Characteristic



**FUJIKURA
COMPOSITES**

Contact us

Control Equipment

Head office: TOC Ariake East Tower 10F, 3-5-7 Ariake,
Koto-ku, Tokyo, Japan 135-0063

TEL +81-3-3527-8573

E-mail: seigyotoiawase.en@fc.fujikura.co.jp

URL: <https://www.fujikura-control.com/>